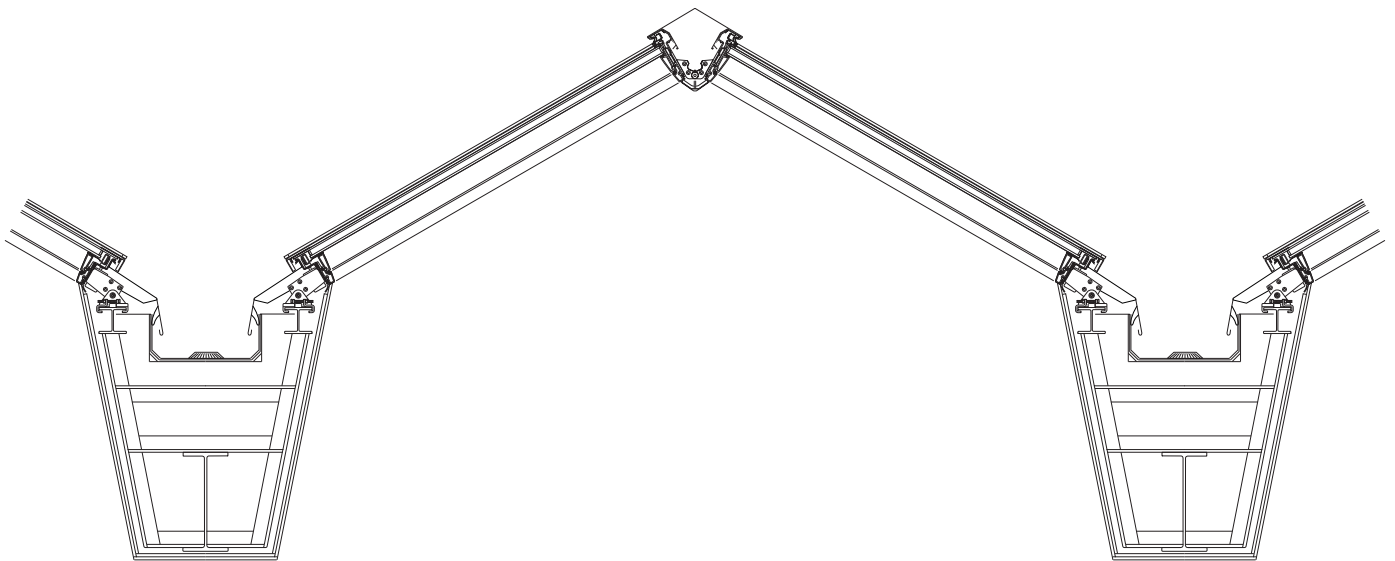
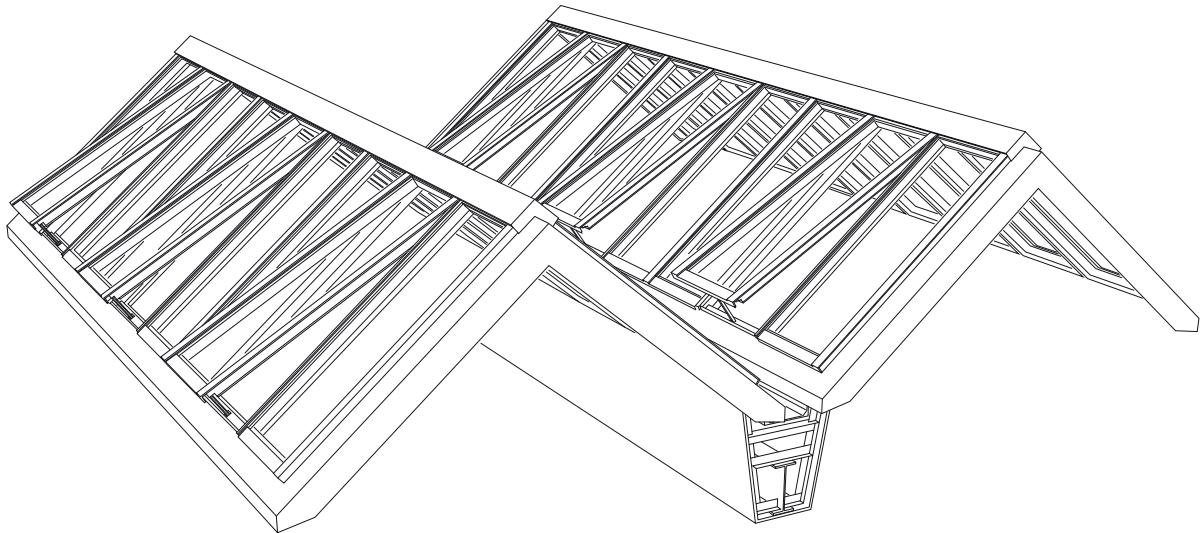


VELUX modular skylights

Sub-construction for Atrium Ridgelight



Sub-construction for Atrium Ridgelight at 25-45° pitch

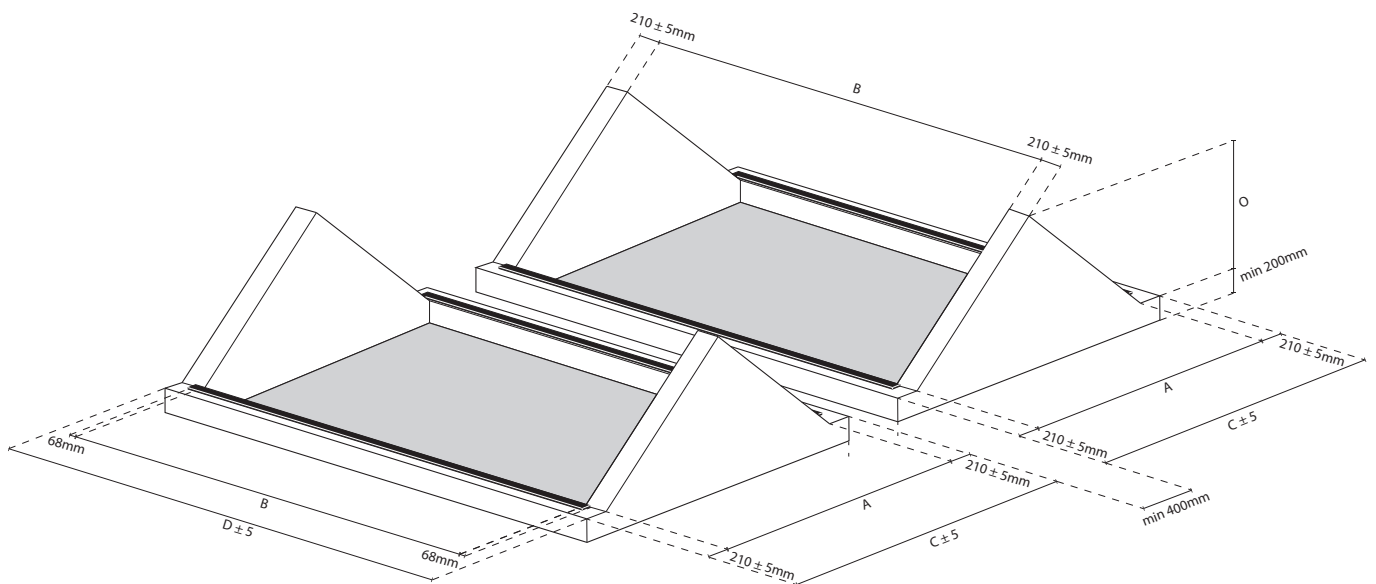
VELUX modular skylights in an atrium ridgelight solution can be installed on a sub-construction made of steel or concrete finished with a steel profile. The sub-construction raises the modules above the roof surface, protecting the construction against water and drifting snow, and provides the supporting base for the modular skylights.

The sub-construction is not included in the VELUX delivery. The sub-construction as shown in the drawing only represents general principles and must be designed and dimensioned to fit the specific building project, local architectural style and practice, and the directions of other building suppliers.

Axonometric

- A: Opening width
- B: Opening length
- C: Sub-construction width

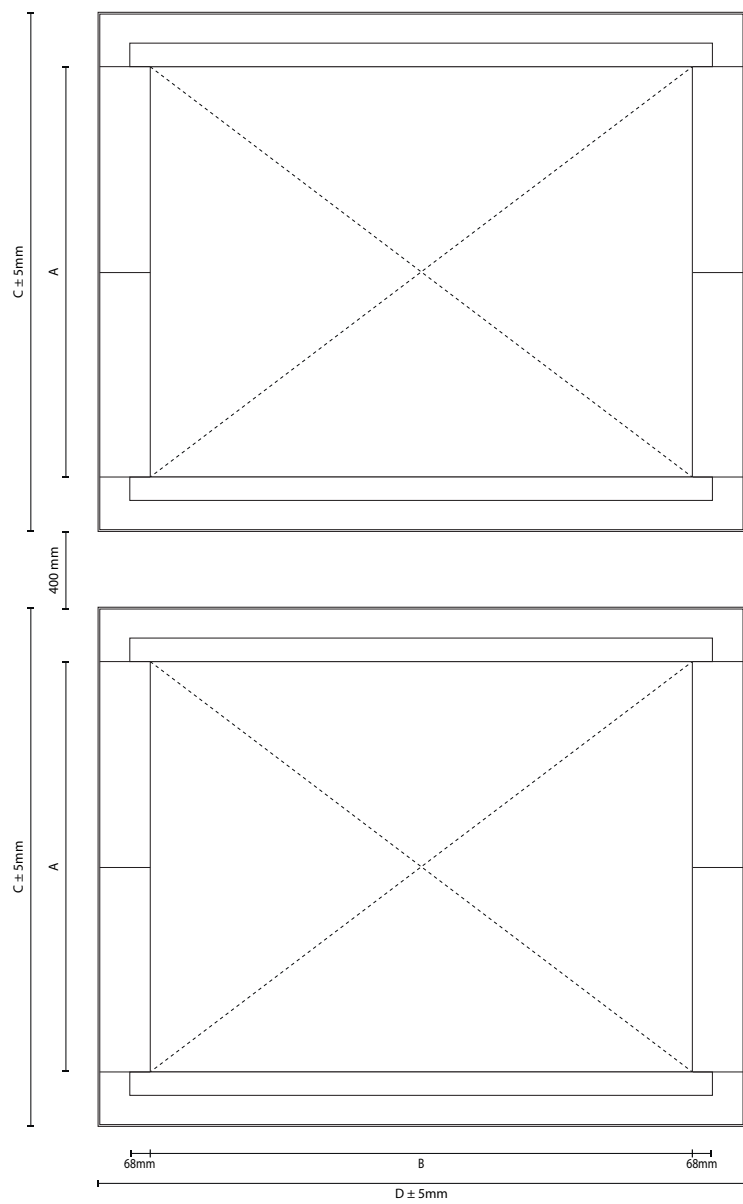
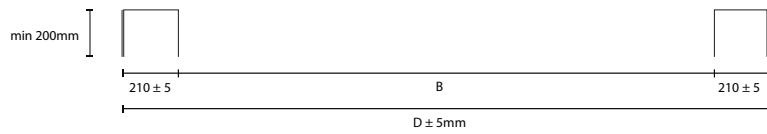
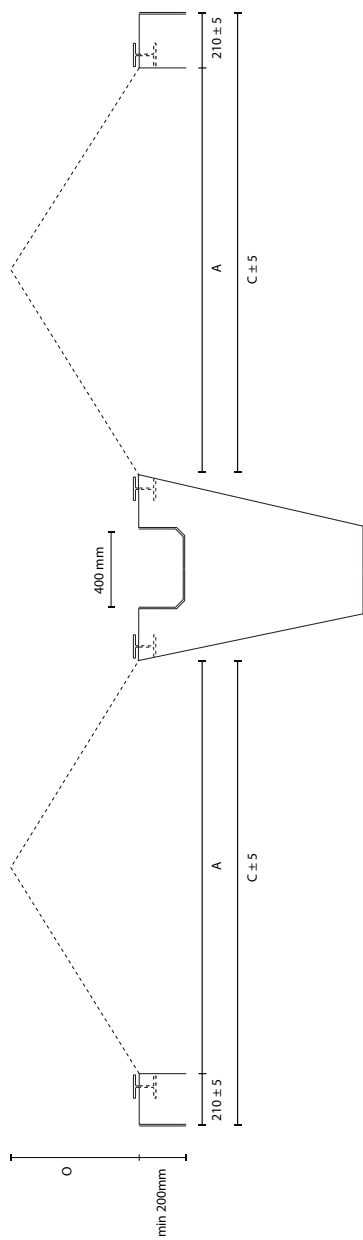
- D: Sub-construction length
- O: Difference in height of sub-construction



Sub-construction for Atrium Ridgelight

- A: Opening width
- B: Opening length
- C: Sub-construction width

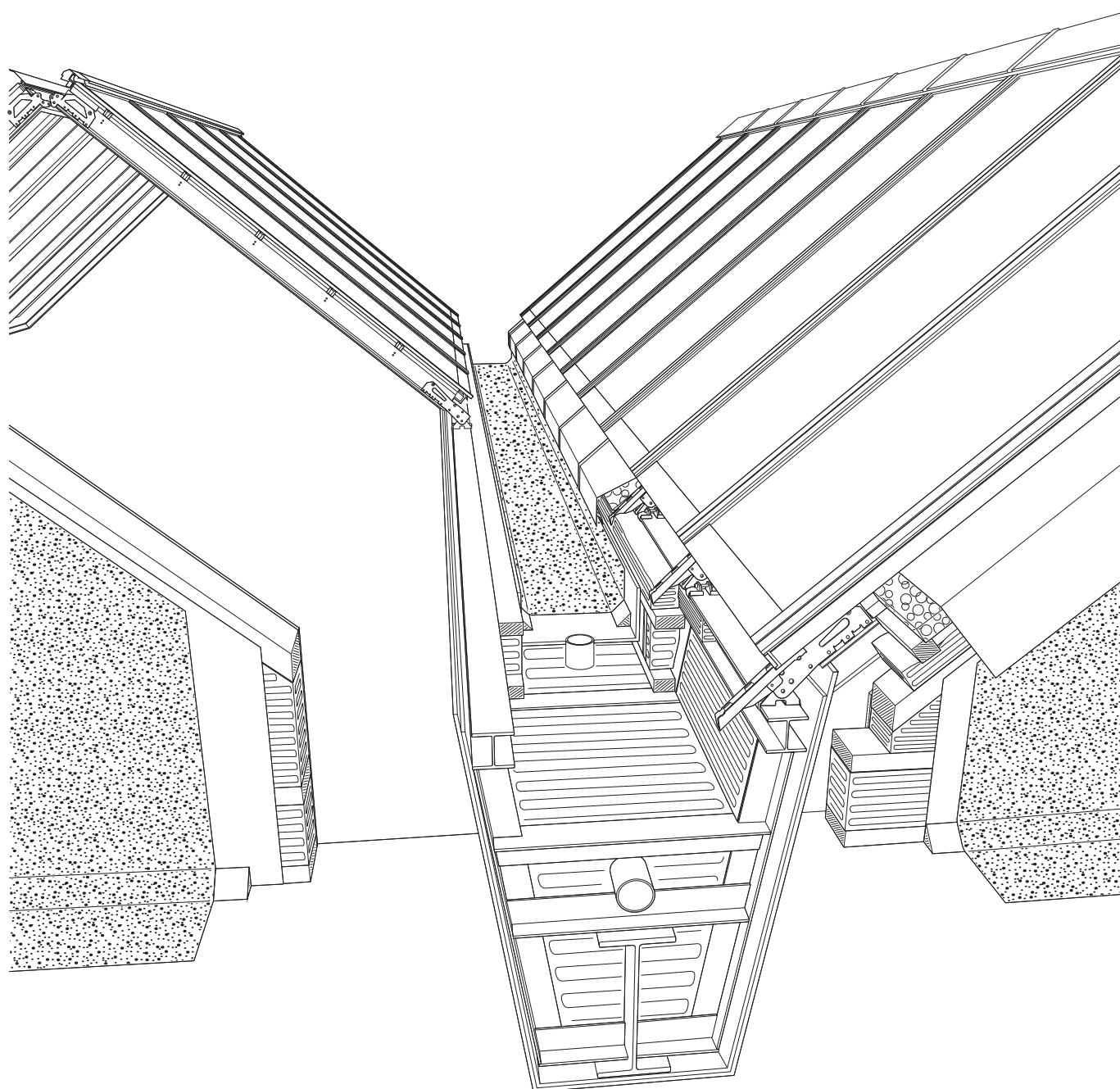
- D: Sub-construction length
- O: Difference in height of sub-construction



Connecting to the roof

The surface on which roofing felt is laid must be prepared according to applicable standards for roofing materials and best building practice.

The roofing felt must be applied to the outside of the sub-construction before mounting the skylight modules.

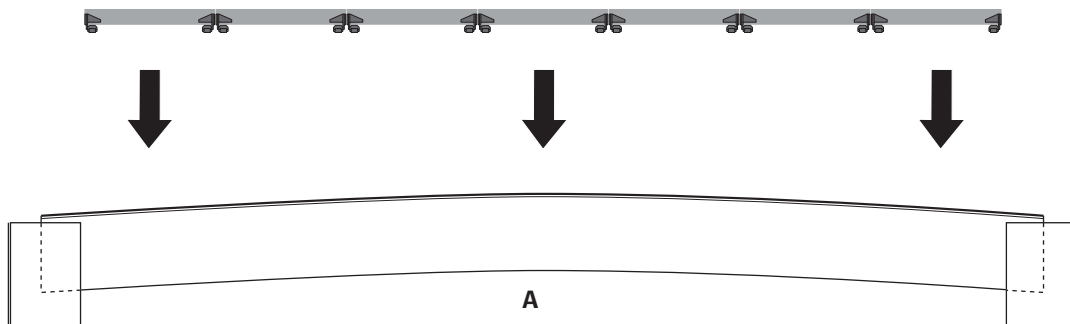
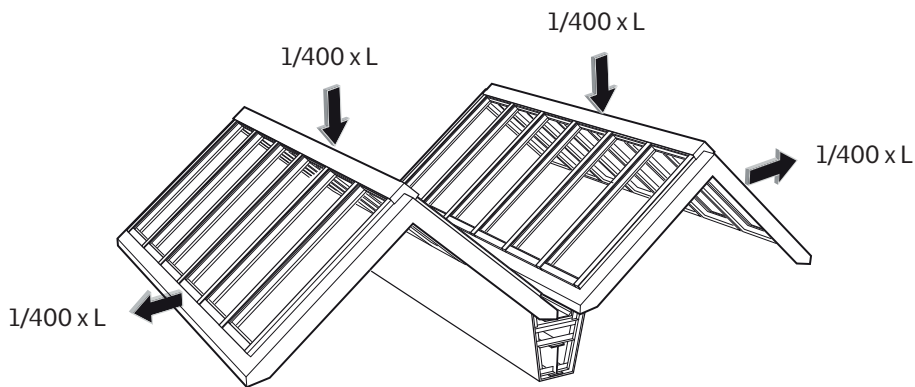


Sub-construction dimensioning requirements

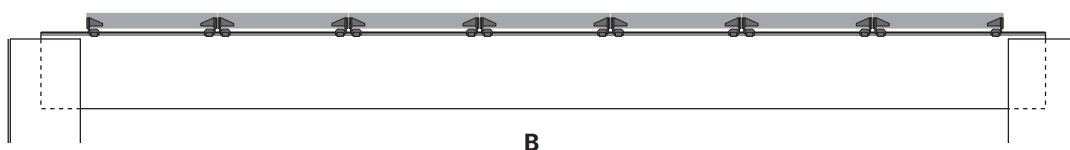
The roof construction is subject to deflection after installation of the skylight modules. These deflections include subsequent roof covering, various building installations and external loads such as snow and wind etc. The sub-construction must be designed to withstand all these loads and the deflections must be limited to to maximum $1/400 \times$ the full length of the sub-construction both vertically and horizontally

After completing the sub-construction, it must be secured against water penetrating the roof construction and insulation.

For load capacity and weight of the skylight modules, please contact your local modular skylight supplier.

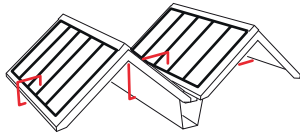


A: Beams can be constructed both vertically and horizontally to withstand the weight from the modules



B: After the installation the beams are flat level

Sub-construction variants

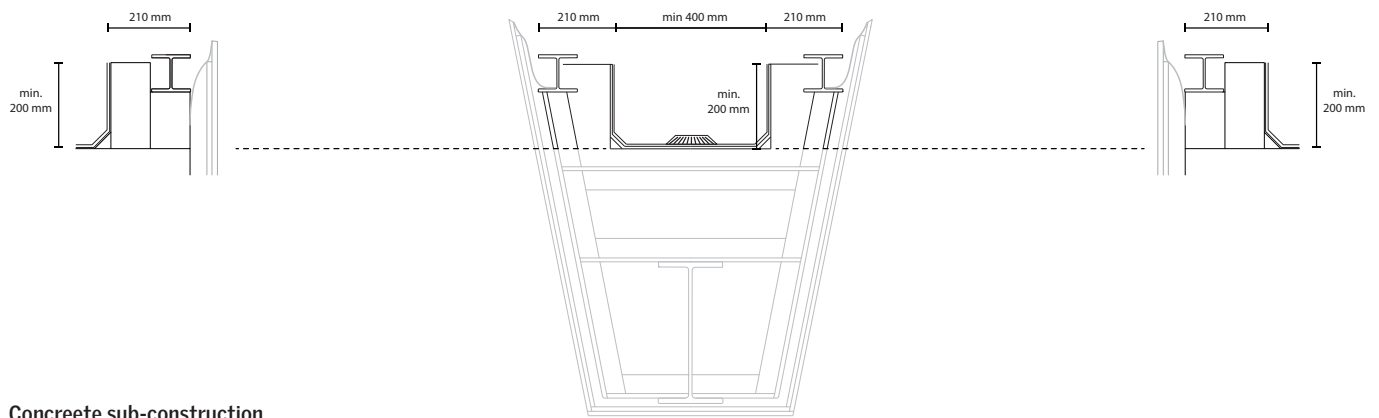


Cross section

Options of sub-constructions for ridgelight solutions. Please note that the width stated indicates the distance from the finished exterior of the roofing material to the interior of the steel profile.

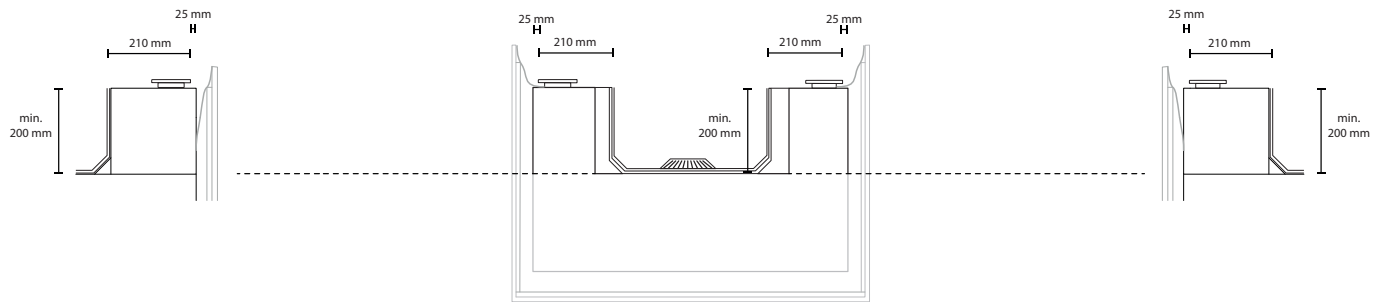
Steel sub-construction

For installation on steel flat bar



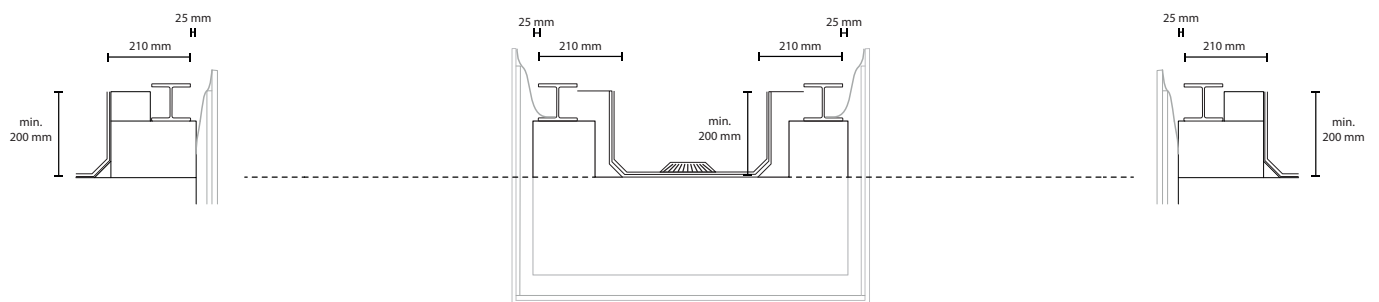
Concrete sub-construction

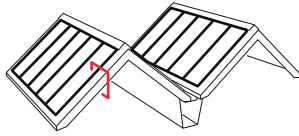
For installation on steel flat bar



Concrete sub-construction

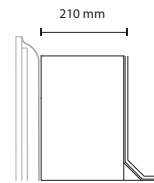
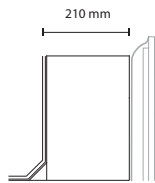
For installation on steel flat bar





Longitudinal section

In the gable construction for atrium ridgelight at 25-45° pitch, the distance from the exterior of the roofing material to the interior of the wood/steel/concrete sub-construction must be minimum 210 mm.



Securing modular skylights to the sub-construction

Using steel profile

The sub-construction can be finished at the top with steel profile or steel flat bar, which provides a level and stable surface for the skylight modules and forms a base for fitting installation brackets with clamps.

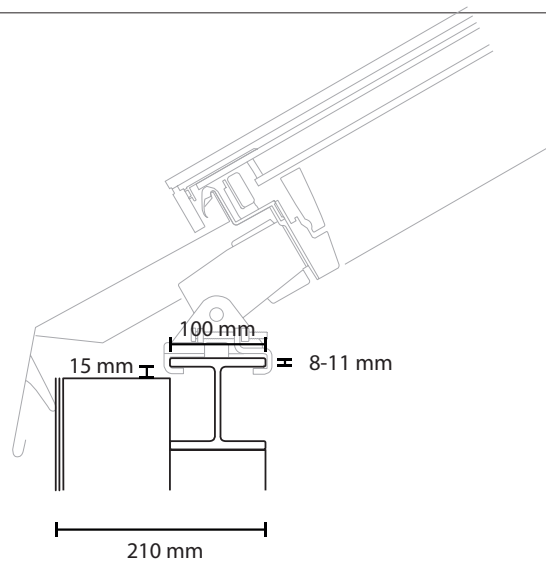
The number and size of fixings for securing the steel profile to the sub-construction must be dimensioned by others to fit each project.

The following standard steel profiles are suited for installation of VELUX modular skylights in atrium ridgelight solutions:

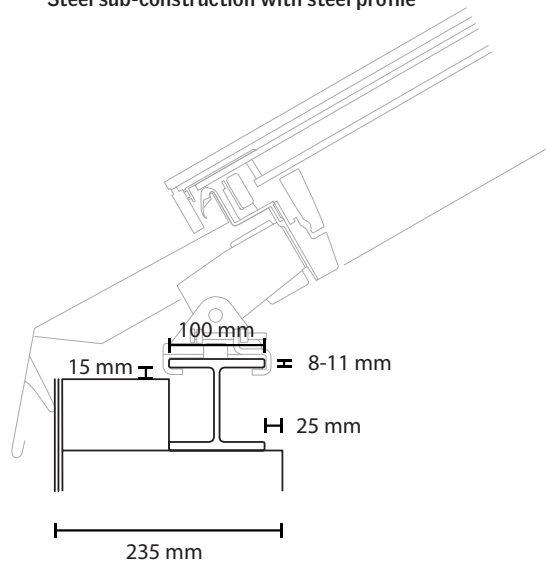
EU steel beams:	British steel beams:
INP 220	UB 178 x 102 x 19
IPE 200	UB 203 x 102 x 23
HE100A	UB 254 x 102 x 22
HE100B	UB 254 x 102 x 25
	UB 305 x 102 x 25
	UB 305 x 102 x 28
	UB 305 x 102 x 33

In case a stronger construction is needed, the steel profile can be replaced with a stronger profile. In this case, a different size installation bolt must be ordered separately from VELUX Company Ltd. The following profiles can be used:

EU steel beams:	British steel beams:
INP 240, 260, 280	UB 305 x 127 x 37
IPE 220, 240	UB 305 x 127 x 42
HE120A	UB 356 x 127 x 33
HE120B	



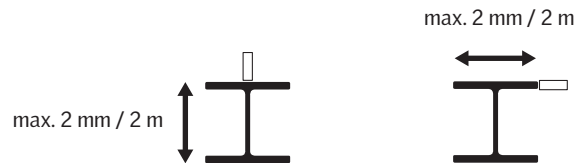
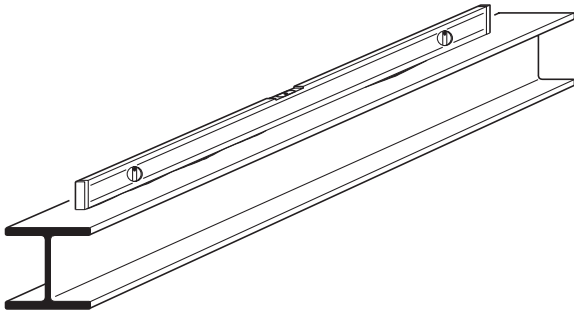
Steel sub-construction with steel profile



Concrete sub-construction with steel profile

Straightness of steel profile

Requirements to the straightness of the steel profile is maximum 2 mm over any given 2 meters.

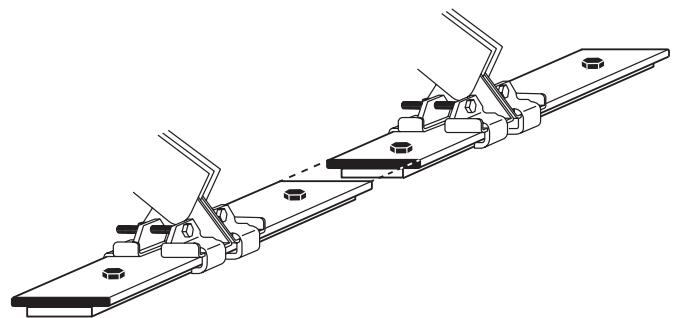
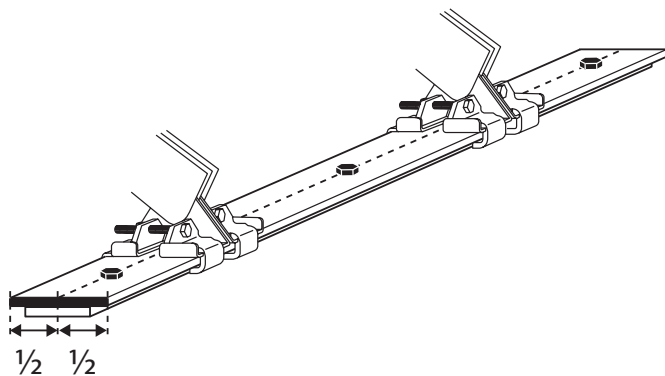


Using steel flat bar

When mounting the modular skylights on steel flat bar, the steel must be 100 mm wide and 8-11 mm thick. In addition there must be at least 15 mm free space underneath the steel both vertically and horizontally to allow room for the clamps.

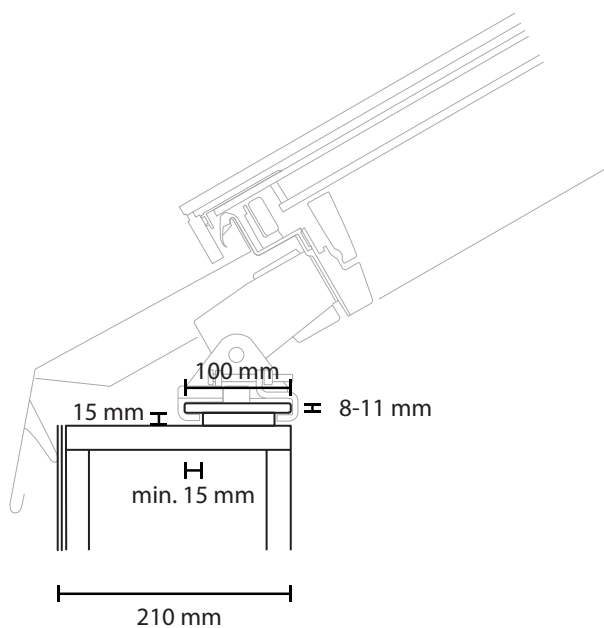
The number and size of fixings for securing the steel profile to the sub-construction must be dimensioned by others to fit each project.

Requirements when using a steel flat bar

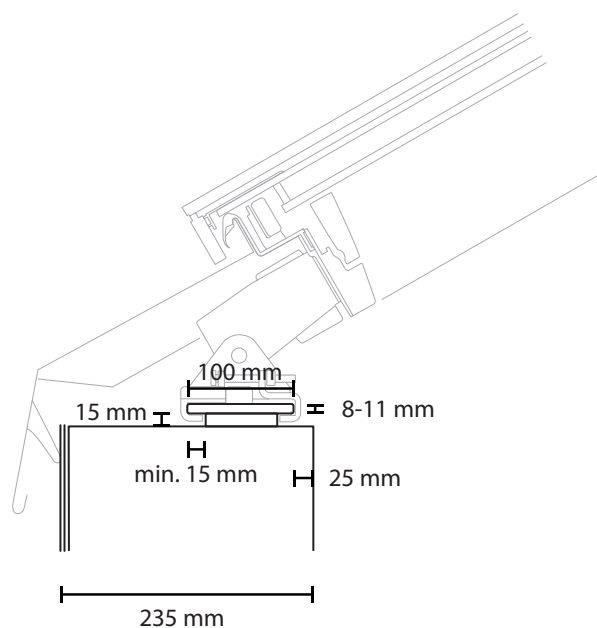


- The blocking-up of the steel must be in the full length of the steel flat bar
- The steel can be secured using screws or bolts along the middle of the profile

- Connection of steel profiles must not collide with clamps



Steel sub-construction with steel flat bar



Concrete sub-construction with steel flat bar

Straightness of a steel flat bar

Requirements to the straightness of the steel profile is maximum 2 mm over any given 2 meters.

